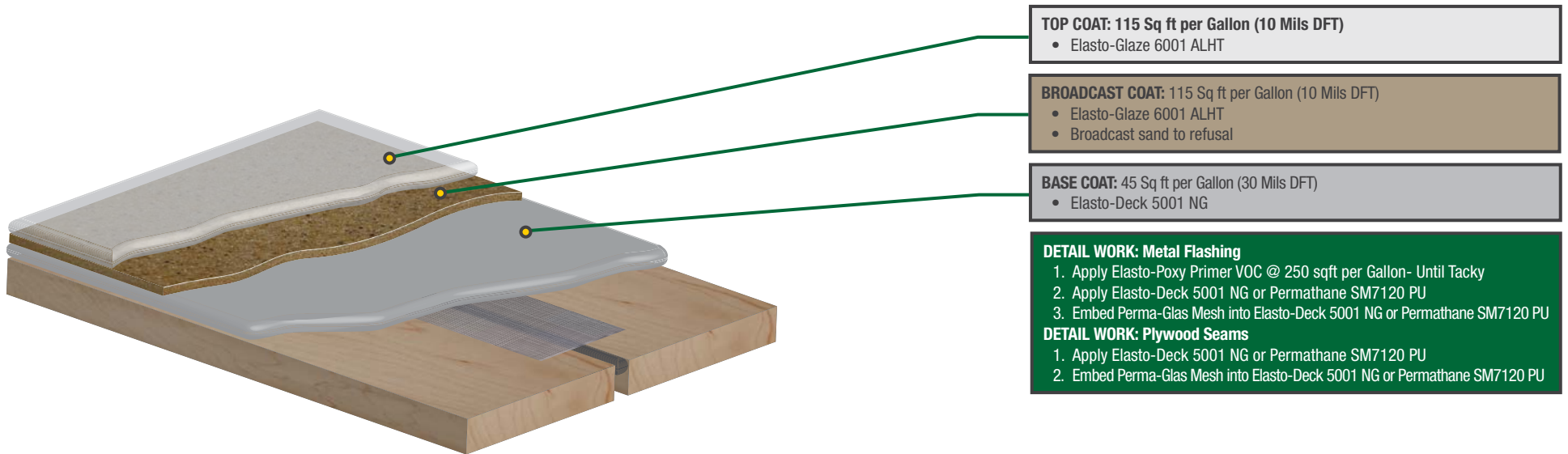




# Elasto-Deck 5000WDA (Pedestrian Traffic – Plywood)

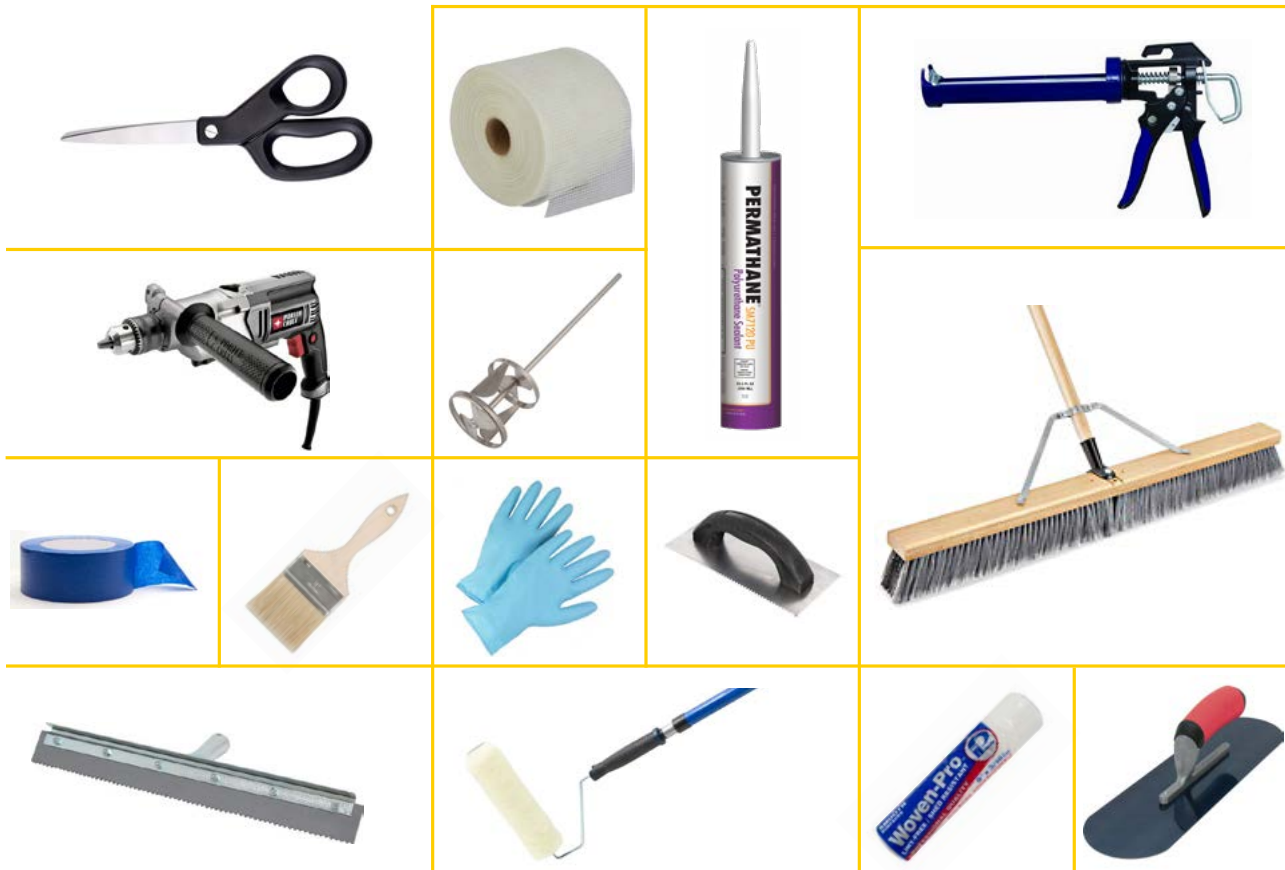
Over occupied areas - 50 Mils DFT





# Elasto-Deck 5000WDA (Pedestrian Traffic - Plywood)

## Suggested Tools & Sundries



- Acetone/Xylene
- Blue Tape/Masking Tape
- Plastic Sheeting Roll
- Caulking gun
- Pool Trowel
- 1/8" Notched Trowel
- 1/8" Notched Squeegee w/ Handle
- Rubber Gloves
- Electric Drill
- Jiffy Mixing Paddle
- Screw Driver/Lid Opener
- Rags
- Chip Brush
- Push Broom
- Roller Handle with pole
- Roller Covers (Shed Free) 3/8" (Top Coat and Primers)
- Roller Covers (Shed Free) 3/4"-1" (Base coats)
- Empty Pail (Broadcast aggregate)
- Trash Bags
- Scissors